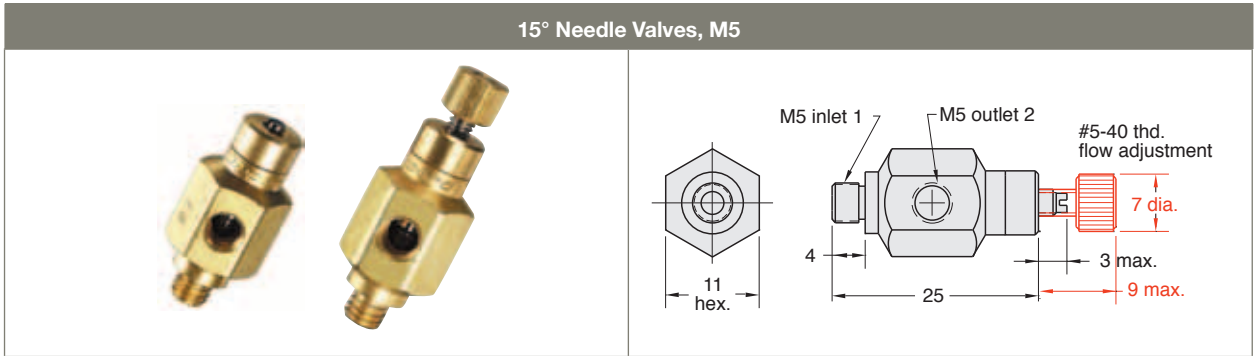


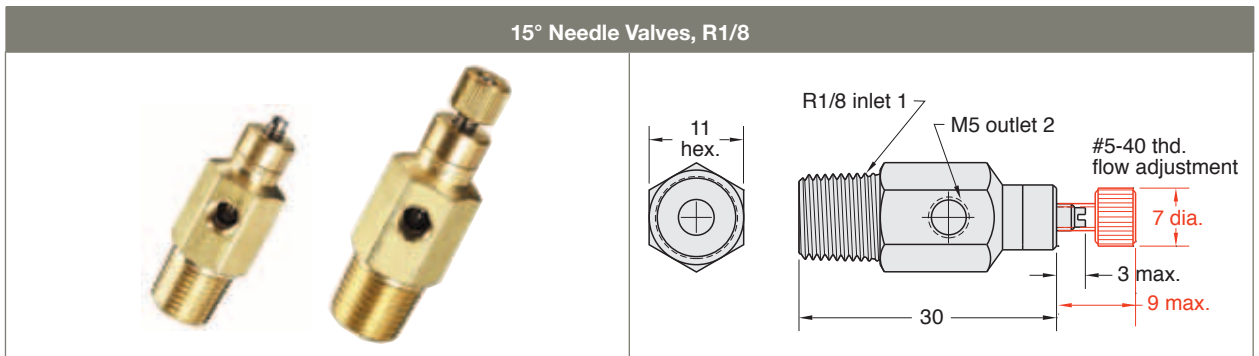
## Needle Valves



Part No.	Description
M-MNV-1	Needle Valve, M5, Screwdriver Slot
M-MNV-1K	Needle Valve, M5, Knurled Knob

Input Pressure:  
140 bar max.

Air Flow:  
85 L/min @ 3.5 bar  
170 L/min @ 7 bar



Part No.	Description
M-MNV-1P	Needle Valve, R1/8, Screwdriver Slot
M-MNV-1KP	Needle Valve, R1/8, Knurled Knob

Input Pressure:  
140 bar max.

Air Flow:  
85 L/min @ 3.5 bar  
170 L/min @ 7 bar